



STAMP HERE

PERMIT NUMBER  
\_\_\_\_ - \_\_\_\_

### CITY OF BUCYRUS

#### DRIVEWAY INSTALLATION, CURB INSTALLATION AND CURB-CUT PERMIT (BCO CHAPTER 907)

PERMIT TYPE: DRIVEWAY INSTALLATION \_\_\_\_\_ CURB INSTALLATION \_\_\_\_\_ CURB CUT \_\_\_\_\_

NAME OF PROPERTY OWNER: \_\_\_\_\_ PHONE NO. \_\_\_\_\_ - \_\_\_\_\_ - \_\_\_\_\_

PROPERTY OWNERS ADDRESS: \_\_\_\_\_

LOCATION OF IMPROVEMENT: \_\_\_\_\_ LOT NO. \_\_\_\_\_

CONTRACTOR DOING WORK: \_\_\_\_\_ PHONE NO. \_\_\_\_\_ - \_\_\_\_\_ - \_\_\_\_\_

CONTRACTOR MAILING ADDR: \_\_\_\_\_

\*\*\*\*\*

DETAILS OF IMPROVEMENT \_\_\_\_\_

\_\_\_\_\_  
\_\_\_\_\_  
\_\_\_\_\_

**LENGTH ALONG STREET TO BE CUT OR INSTALLED:** \_\_\_\_\_

DRIVEWAY APRON MATERIAL AND THICKNESS TO CONFORM TO APPLICABLE STANDARD DETAIL.

FEE (DRIVEWAY INSTALL, CURB CUT AND CURB INSTALL). \$2.00 X \_\_\_\_\_ = \$ \_\_\_\_\_  
LINEAR FEET

\_\_\_\_\_  
APPLICANT NAME (PRINTED) APPLICANT SIGNATURE DATE SUBMITTED

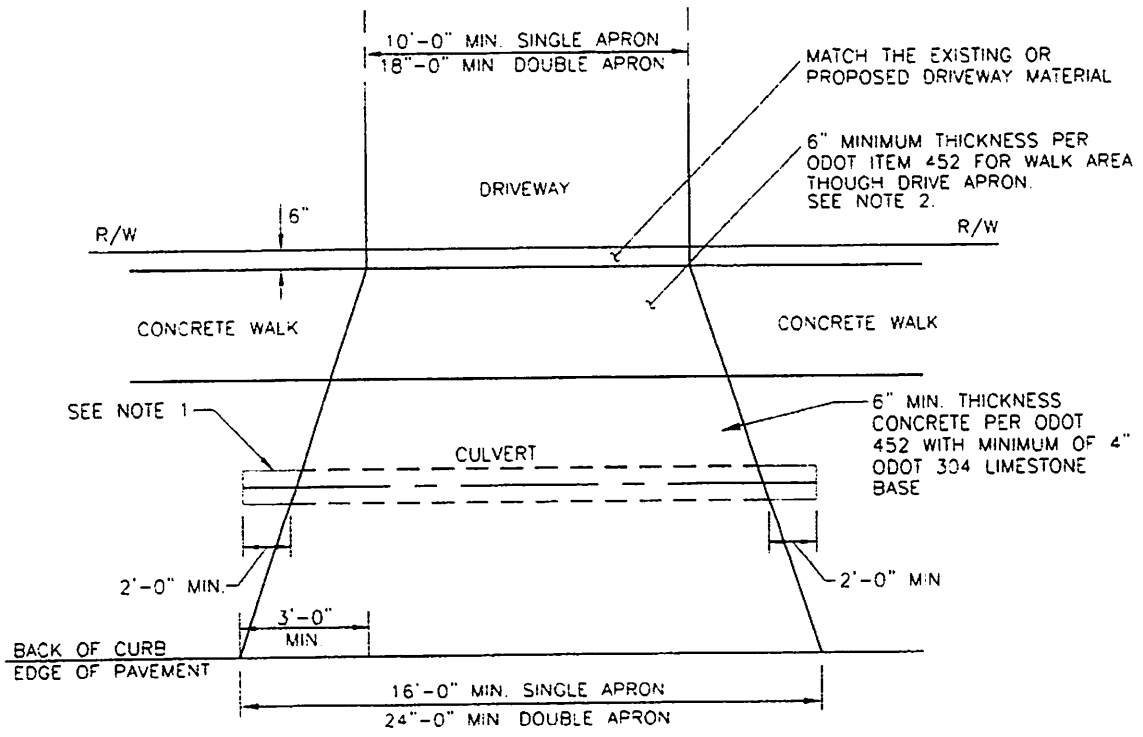
\*\*\*\*\*

\* OFFICIAL USE ONLY \*

APPROVED \_\_\_\_\_ DENIED \_\_\_\_\_

\_\_\_\_\_  
APPROVED BY SAFETY SERVICE DIRECTOR OR DESIGNEE DATE APPROVED

COMMENTS: \_\_\_\_\_  
\_\_\_\_\_  
\_\_\_\_\_



**NOTES:**

- 1 IF DITCH EXISTS, A DRIVE CULVERT MUST BE INSTALLED 8" DIAMETER MINIMUM CULVERT SHALL BE SIZED FOR UPSTREAM DRAINAGE AREA TO PREVENT DRIVE OVER TOPPING
- 2 CONCRETE WALK WIDTH SHALL MATCH ADJOINING WALK, 4' MINIMUM WIDTH.

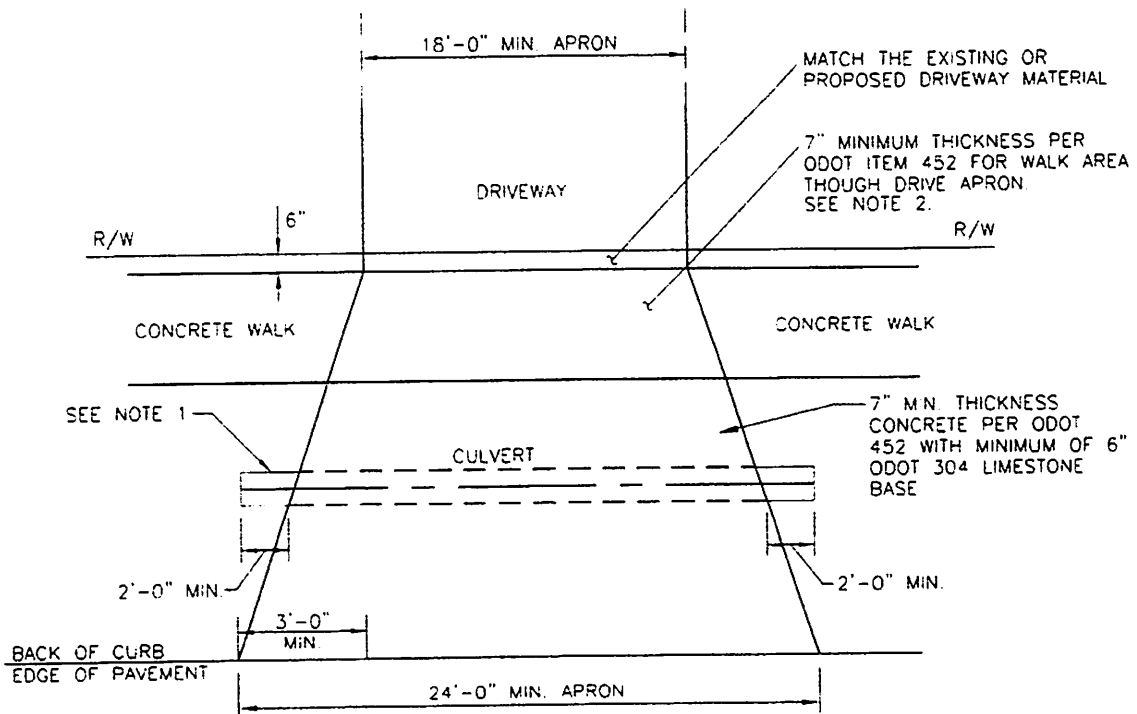
**RESIDENTIAL DRIVE APRON DETAIL**

NO SCALE

**City Of Bucyrus**  
**Standard Construction Details**

**SD-5-01**

4/1/21 11:27 4:58pm C:\Users\jmc\OneDrive\Documents\Standard Details\11-5-01.DWG copied, updated by jmc



**NOTES:**

- 1 IF DITCH EXISTS, A DRIVE CULVERT MUST BE INSTALLED 8" DIAMETER MINIMUM CULVERT SHALL BE SIZED FOR UPSTREAM DRAINAGE AREA TO PREVENT DRIVE OVER TOPPING
2. CONCRETE WALK WIDTH SHALL MATCH ADJOINING WALK, 4' MINIMUM WIDTH.

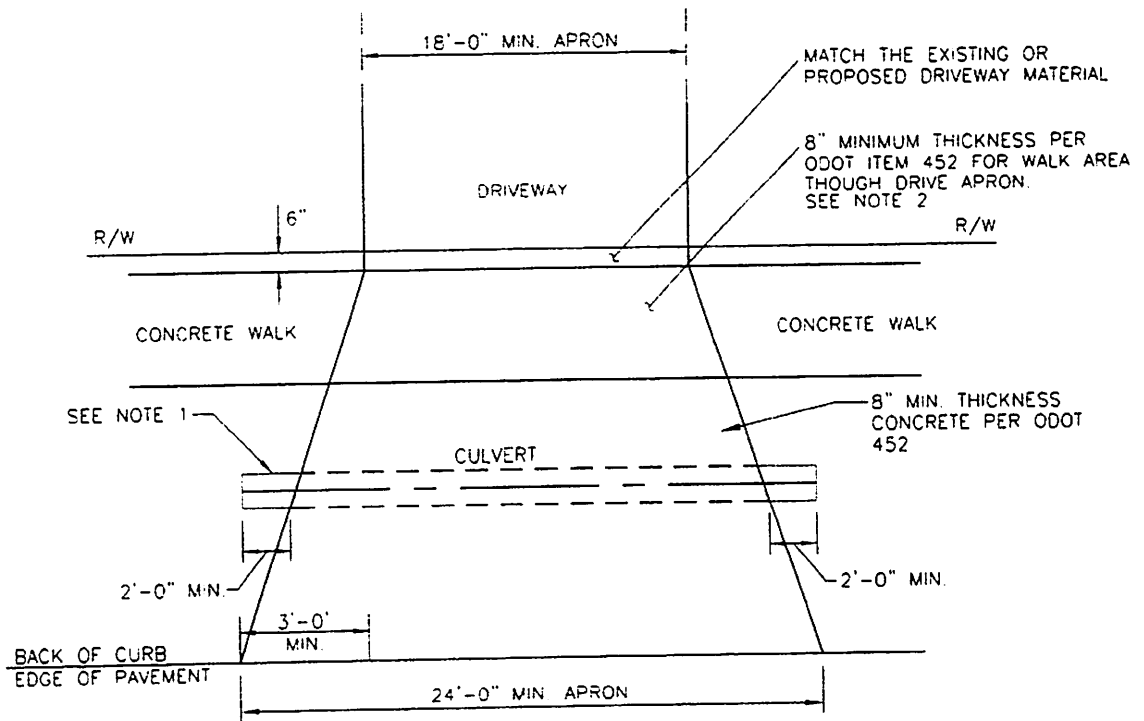
**COMMERCIAL DRIVE APRON DETAIL**

NO SCALE

**City Of Bucyrus**  
Standard Construction Details

SD-5-02

City of Bucyrus, August 21, 2018, 8:58 AM, 7/27/18, 11:25 AM, 11:25 AM, 11:25 AM, 11:25 AM, 11:25 AM, 11:25 AM, 11:25 AM, 11:25 AM, 11:25 AM



**NOTES**

1. IF DITCH EXISTS, A DRIVE CULVERT MUST BE INSTALLED 8" DIAMETER MINIMUM CULVERT SHALL BE SIZED FOR UPSTREAM DRAINAGE AREA TO PREVENT DRIVE OVER TOPPING
2. CONCRETE WALK WIDTH SHALL MATCH ADJOINING WALK, 4' MINIMUM WIDTH

**INDUSTRIAL DRIVE APRON DETAIL**

NO SCALE

**City Of Bucyrus**  
**Standard Construction Details**

**SD-5-03**

Copyright 2011 by City of Bucyrus, Ohio. All rights reserved. No part of this publication may be reproduced, stored in a retrieval system, or transmitted, in any form or by any means, electronic, mechanical, photocopying, recording, or by any information storage and retrieval system, without the prior written permission of the City of Bucyrus, Ohio.