

CITY OF BUCYRUS  
ENGINEERING DEPARTMENT  
SIDEWALK CONSTRUCTION/REPAIR PERMIT

NO FEE

DATE: \_\_\_\_\_ PERMIT # \_\_\_\_\_

OWNERS NAME: \_\_\_\_\_

ADDRESS: \_\_\_\_\_

PHONE: \_\_\_\_\_ CONTRACTOR: \_\_\_\_\_

SCOPE OF WORK \_\_\_\_\_  
\_\_\_\_\_  
\_\_\_\_\_

WIDTH \_\_\_\_\_ LENGTH \_\_\_\_\_

SPECIAL CONDITIONS \_\_\_\_\_  
\_\_\_\_\_  
\_\_\_\_\_

PERMIT APPROVED

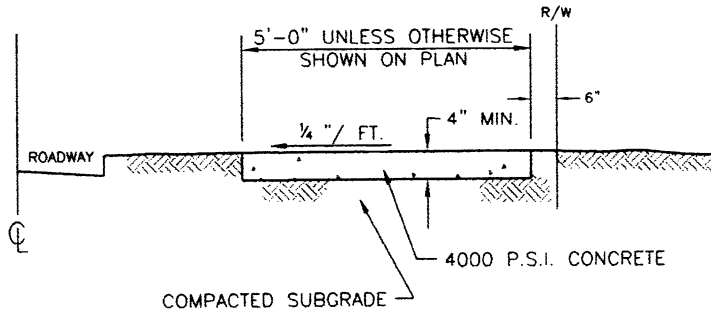
DENIED

OWNER'S SIGNATURE \_\_\_\_\_

SERVICE DIRECTOR \_\_\_\_\_

NOTES: \_\_\_\_\_  
\_\_\_\_\_  
\_\_\_\_\_  
\_\_\_\_\_  
\_\_\_\_\_

**NOTE:**  
 WALK TO BE DIVIDED INTO SPACED BLOCKS AT APPROXIMATELY 5' INTERVALS.  
 EXPANSION JOINT FILLER 1" THICK SHALL BE INSTALLED BETWEEN WALK AND ANY  
 FIXED STRUCTURE, EXTENDING FOR THE FULL DEPTH OF THE SIDEWALK. THE  
 EXPANSION JOINT FILLER SHALL BE 1" THICK WHERE WALK IS INSTALLED AGAINST  
 BACK OF CURB.

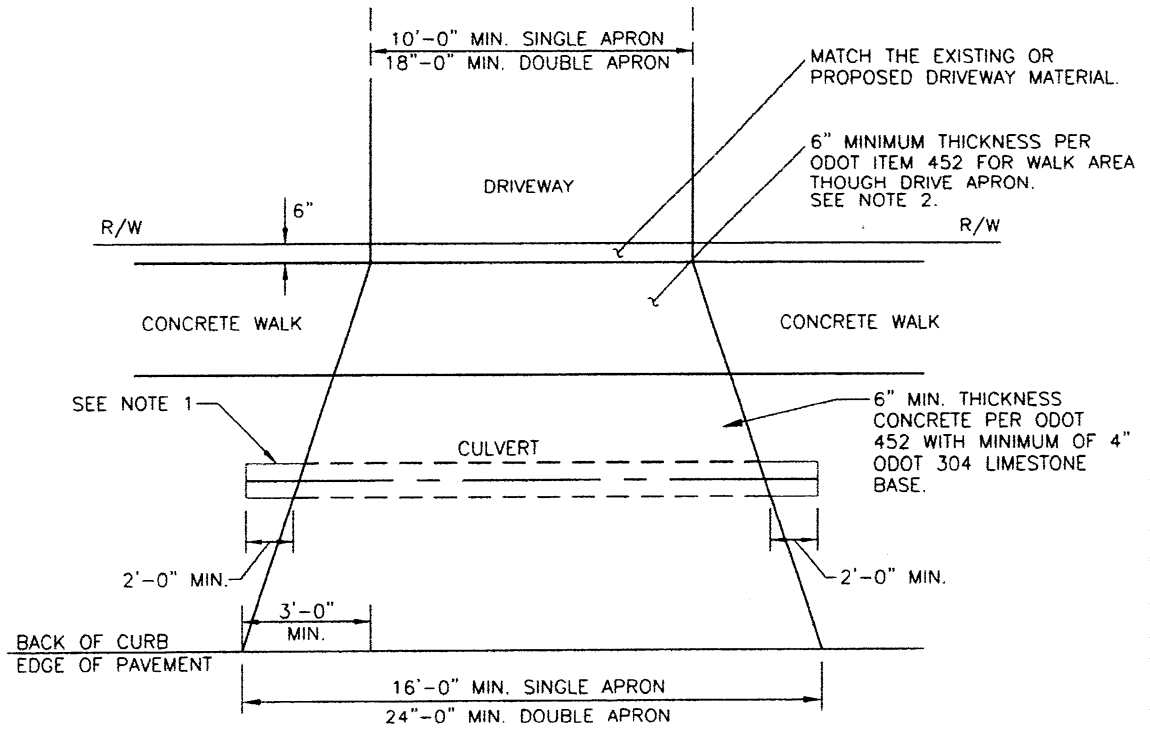


## TYPICAL CONCRETE WALK DETAIL

NO SCALE

**City Of Bucyrus**  
 Standard Construction Details

SD-5-13



- NOTES:**
1. IF DITCH EXISTS, A DRIVE CULVERT MUST BE INSTALLED 8" DIAMETER MINIMUM. CULVERT SHALL BE SIZED FOR UPSTREAM DRAINAGE AREA TO PREVENT DRIVE OVER TOPPING.
  2. CONCRETE WALK WIDTH SHALL MATCH ADJOINING WALK, 4' MINIMUM WIDTH.

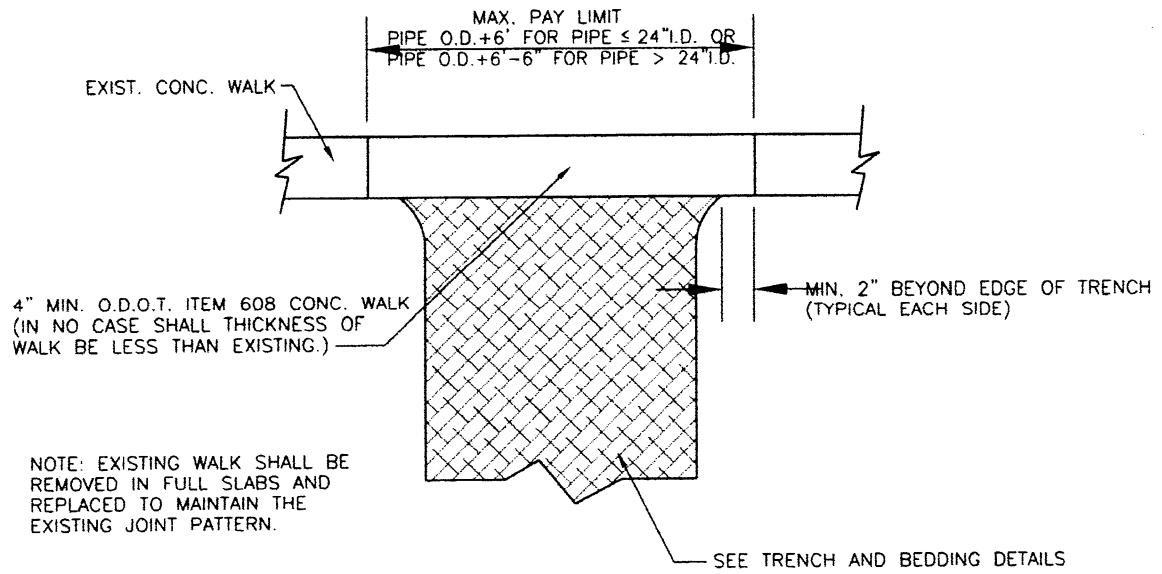
## RESIDENTIAL DRIVE APRON DETAIL

NO SCALE

**City Of Bucyrus**  
**Standard Construction Details**

**SD-5-01**

Copyright - Aug 21, 2010 - 4:58pm CT Consultants, Inc.  
 Drawing name: H:\2008\08050\08050\Standard Details\SD-5-01.DWG Layout: Layout by: abrams



## TYPE 'A' WALK REPLACEMENT

NO SCALE

**City Of Bucyrus**  
**Standard Construction Details**

**SD-5-12**